

---

# Installation & Quick Start Guide

## Aqua PC Range – Standard Aqua PC Version 2

---



## 1. Introduction

Congratulations on the purchase of your Aqua PC. It is recommended that your new computer is installed by a professional installer. **The Aqua Standard PC is 12v ONLY** and must not be connected directly to a 24v DC supply. Please consult your dealer or with Digital Yacht on suitable 24v to 12v DC-DC adaptors.

**i** Due to different battery banks, AC supplies, inverters, grounding, etc. on boats, always connect and disconnect devices and cables to the Aqua PC with the PC and other devices turned off – particularly USB and Monitor cables.

## 2. Before you start

You will need the following items and tools to complete the installation:

- A USB Keyboard and Mouse
- A suitable Monitor with VGA or HDMI input
- Access to 12V DC power supply where the unit is to be installed
- Crimps, terminal block or other connectors suitable for connecting DC/Signal wiring
- M3 or M4 screws or other fixings appropriate to the mounting location

If the Aqua PC has Windows pre-installed, then this will have been authorised with Microsoft during production. If you are installing Windows yourself, don't forget that you will need to authorise the copy of Windows by either connecting the computer to the internet or ringing the Microsoft automated telephone authorisation system.

Other optional items you may wish to have with you during installation include;

- Suitable USB Memory stick for transferring software and data
- A powered USB hub if you intend to connect more than 4 USBs devices to the Aqua PC
- Original CDs/DVDs of the software you wish to install on the Aqua PC

## 3. Installation

Before starting installation select a suitable location for the Aqua PC. The unit is not water resistant and should be mounted in a dry location where it will not come in to contact with water or excessive moisture. When locating the unit you should consider:

- Routing of power, USB and NMEA cables to the unit
- Provision of sufficient space behind the unit for cable connections
- Getting access to the Aqua PC for plugging in USB devices and loading CDs/DVDs
- Maintaining the compass safe distance of 0.5m

### Installation Step 1

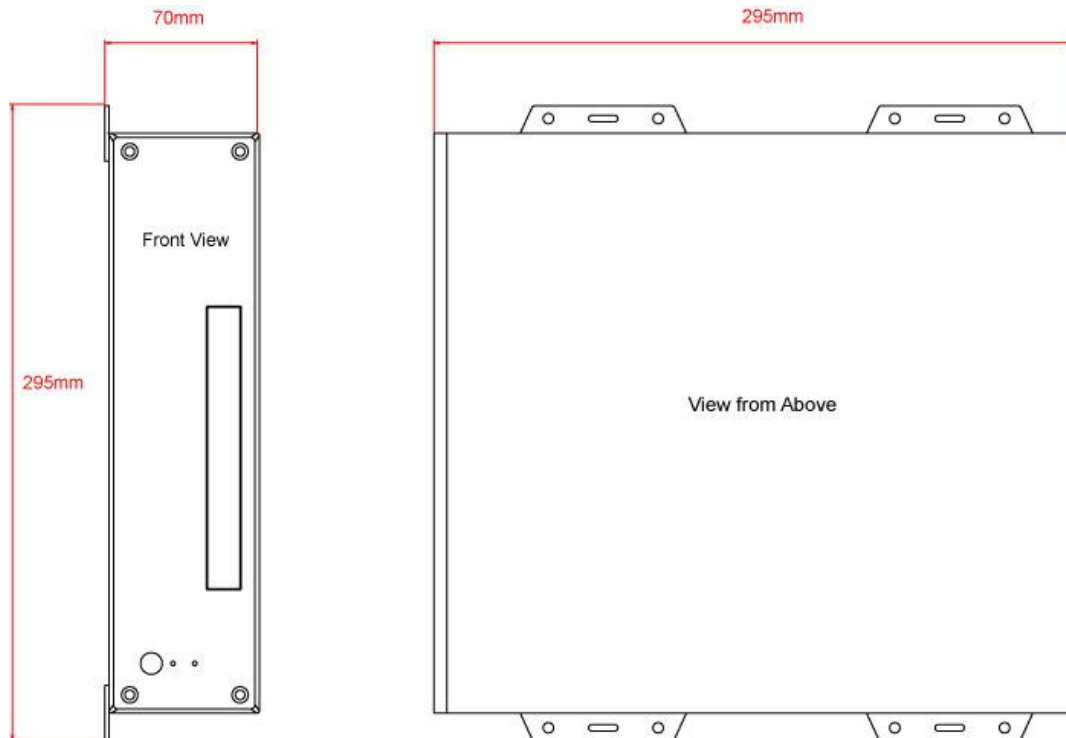
- Run a suitable 12v DC supply to the location where the Aqua PC will be mounted.
- The Aqua PC normally consumes around 1A at 12v but will consume more power if you are powering a 12v monitor or lots of USB devices from the Aqua PC.
- Ensure a suitable in-line fuse is fitted or circuit breaker (maximum 10A).
- Run any USB or NMEA interfacing cables to the location where the Aqua PC will be mounted.
- Do not make any connections yet.

**i** The USB Interface Standard specifies that USB cables should be no longer than 5m without using a special powered USB extender cable – ensure that the total USB cable length from the Aqua PC to any USB device is < 5m.

## Installation Step 2

- The Aqua PC is supplied with four mounting brackets which are screwed (wrong way round) to the base of the Aqua PC for transit. Unscrew the brackets, reverse them and screw them back in place. Use suitable fixings (not supplied) to fix the Aqua PC to a flat surface – using the dimensions and details shown in the drawing below. Note that the unit may be installed in any orientation.

### Fixing location drawing



### Photo of Aqua PC Rear Panel

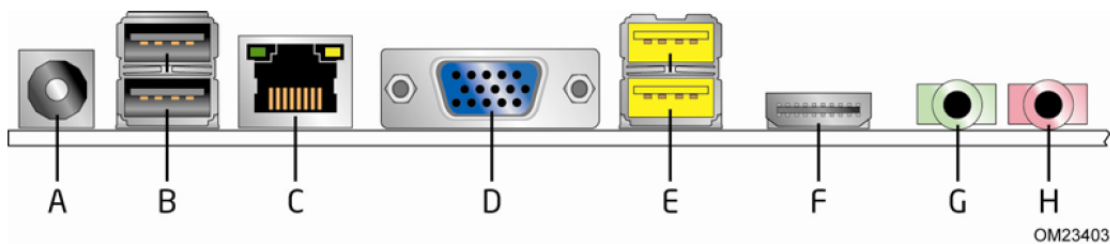


### Installation Step 3

- On the rear of the Aqua PC is a single black cable that has eight wires. This is the Power/IO cable. Connect the Red (+) and Black (-) wires in the Power/IO cable to the ship's 12v DC supply.
- **Ensure that the supply is connected via a suitable fuse or suitable circuit breaker (in the positive power connection).** A 5A fuse/circuit breaker is recommended for most installations and 10A is the maximum value that should be used.
- Do not try to turn on the Aqua PC yet.


### Installation Step 4

- The connections on the rear of the Aqua PC are as follows;

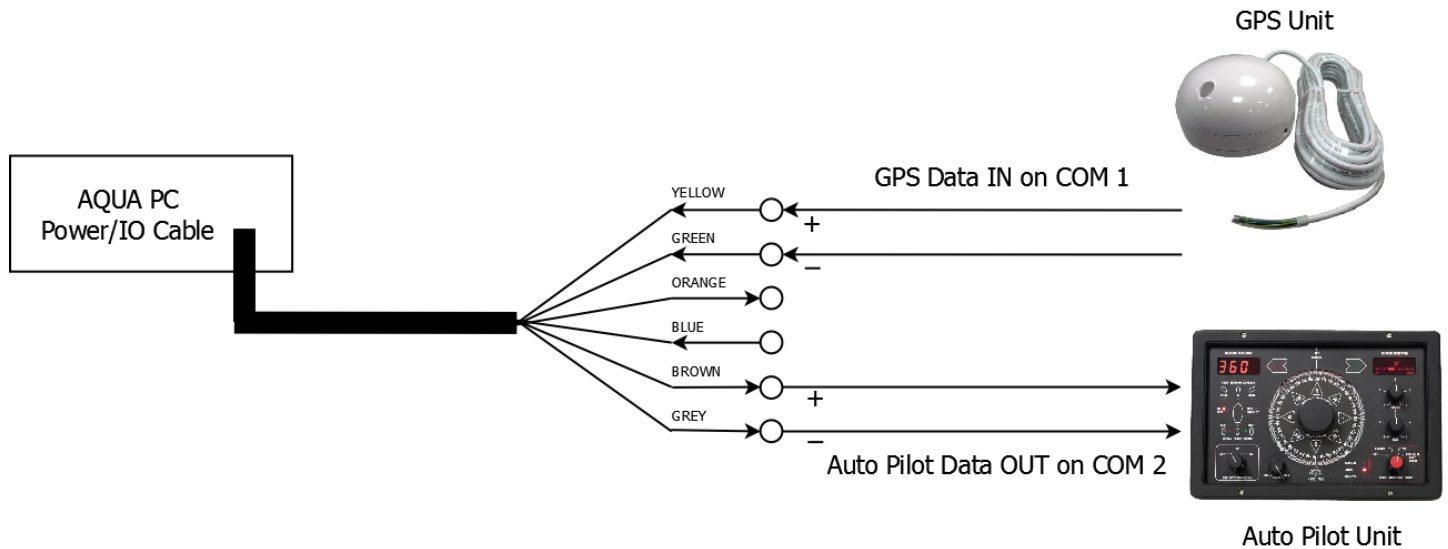


| Item | Description                          |
|------|--------------------------------------|
| A    | DC input jack                        |
| B    | USB ports                            |
| C    | LAN connector                        |
| D    | VGA connector                        |
| E    | High-current/fast charging USB ports |
| F    | HDMI connector                       |
| G    | Analog line out                      |
| H    | Microphone in                        |

- The wires in the eight core Power/IO are as follows;
  - RED - Power + (12v or 24v)
  - BLACK - Power - (0v)
  - ORANGE - COM 1 TX+
  - YELLOW - COM 1 RX +
  - GREEN - COM 1 Ground (-)
  - BROWN - COM 2 TX+
  - BLUE - COM 2 RX+
  - GREY - COM 2 Ground (-)
- Connect a USB mouse and keyboard to the any of the four USB ports on the Aqua PC
- Connect a suitable monitor or monitors to the VGA and/or HDMI connectors on the Aqua PC
- If you wish to connect any USB devices that have rechargeable batteries i.e. iPhone or need extra current i.e. external hard drive or DVD player, connect them to the Yellow "High Power" USB sockets.

** The DC Input Jack connector should not be used. Please ensure that the supplied protective cap is always fitted and do not attempt to connect any devices or external power supplies to this connector.**

- To connect NMEA devices to the Aqua PC you can connect them directly to the two COM port wires in the Power/IO cable. A couple of typical examples are shown below;



- Once all devices are correctly connected to the Aqua PC ensure the 12v DC power is connected i.e. the circuit breaker is ON (if fitted). Press the Power switch on the front of the Aqua PC and the Power and Hard Disk LEDs should come on as the PC starts its power up sequence.
- Installation is now complete.